

# AuthenTec FingerLoc 8600

Secure Mid-Size Touch Sensor for Access Control Solutions



The FingerLoc 8600 provides AuthenTec's advanced security in a low cost, medium-size touch sensor for the physical access control market.

Widely used in door locks and time and attendance devices, the **FingerLoc 8600** features ultra-hard surface coating, ruggedized packaging, and superior electrostatic discharge (ESD) protection – enabling the sensor to perform even in harsh outdoor environments.

The **FingerLoc 8600**'s wide image area is capable of supporting AuthenTec and third-party matching technology – enabling manufacturers to design the sensor into new or existing biometric solutions. The **FingerLoc 8600**'s multiple interfaces also make it easy for developers to integrate with existing industry standard microprocessors.

## KEY FEATURES AND BENEFITS

### SUPERIOR TECHNOLOGY

- TruePrint technology provides the most accurate fingerprint image.
- TrueMatch pattern matching technology runs on high-performing embedded or host processor.

### EASY TO USE

- Able to read virtually every fingerprint
- Pattern matching technology delivers the industry's best enroll, verify and reject performance (false accept/false reject)

### EASY INTEGRATION

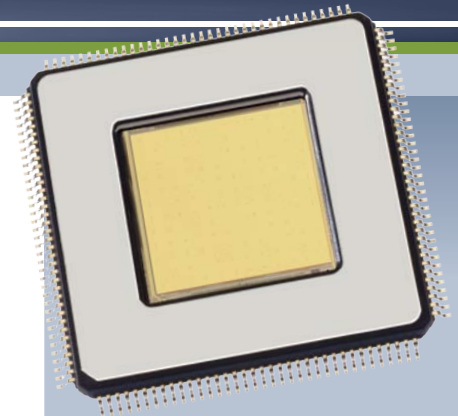
- Turnkey access control development kits
- Software development kit support popular embedded processors
- Sensor size permits use of third-party matchers

### DURABILITY

- Ultra hard surface coating withstands greater than 1 million touches
- Ruggedized packaging, includes stainless steel bezel
- Superior 15KV ESD resistance

### LOW SOLUTION COST

- Highly integrated sensor
- Minimal bill of materials



DOORS



SAFES



AUTOMOTIVE



ATMS

The Power of Touch

# AuthenTec FingerLoc 8600

## THE AUTHENTEC DIFFERENCE

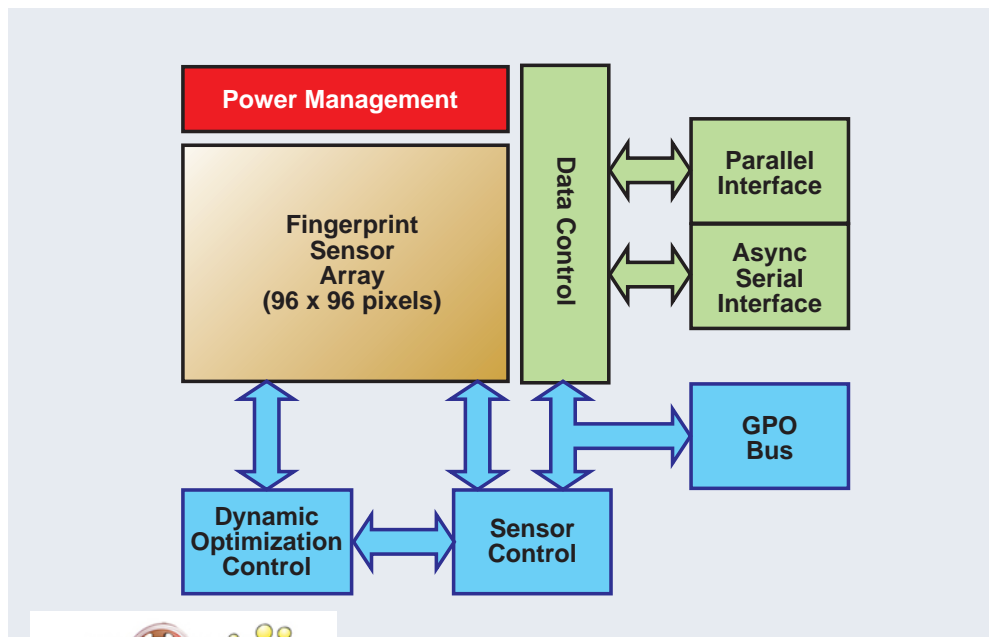
### SUPERIOR TRUEPRINT AND TRUEMATCH TECHNOLOGIES

The FingerLoc 8600 employs AuthenTec's award winning TruePrint® and TrueMatch technologies, the most accurate sensor and pattern matching technologies in the industry. These combined technologies capture the highest quality fingerprint images – resulting in significantly better performance than any other solution on the market today.

## FingerLoc 8600 SPECIFICATIONS

High Performance Features	Advanced security Ruggedized packaging Multiple systems interfaces Superior ESD resistance
Form Factor	Standard JEDEC 144-pin LQFP package 20mm x 20mm x 1.55mm
Robust Packaging	Scratch and impact resistant Ultra hard surface coating withstands greater than 1 million touches RoHS compliant / Lead free
Detection Matrix	96 x 96 pixels 9.75mm x 9.75mm 250 ppi resolution images
SelectaBus	Asynchronous serial interface 8-bit parallel interface
Selectable Operating Voltage Range	3.3V or 5.0V
Commercial Temperature Range	-20C to +70C
Current Consumption @ 3.3V	65mA imaging 30mA finger detect 25uA sleep mode
ESD Resistance	IEC 61000-4-2 Level 4 (+/- 15KV)

## FingerLoc 8600 APPLICATION BLOCK DIAGRAM



## THE AUTHENTEC TOTAL SOLUTION

AuthenTec offers the most complete and flexible solution to enable manufacturers to design in advanced biometric fingerprint sensors. Our total solution approach includes a complete family of sensors; hardware and software kits for easy evaluation and integration; proven solutions from more than 50 hardware, software and design partners; and end-to-end integration support from an experienced technical staff.

## CONTACT US

### NORTH AMERICA

AuthenTec | U.S. Headquarters  
709 South Harbor City Blvd.  
Melbourne, FL 32901 USA  
phone: 321-308-1300

### San Jose, CA

phone: 408-879-2383

### EUROPE

Germany | Munich  
phone: 49 (8444) 918290

### ASIA

China | Asia Headquarters  
4000 Wen Xiang Road  
Songjiang Shanghai 201616  
phone: 86-21-5776-3300

### Japan | Tokyo

phone: 81-80-5026-9710

### Taiwan | Taipei

phone: 886-932 309 181

### Korea | Seoul

phone: 82-11-380-6164

## WORLDWIDE REPRESENTATIVES NETWORK

A complete listing of AuthenTec's network of representatives is available at our web site.

[www.authentec.com](http://www.authentec.com)

