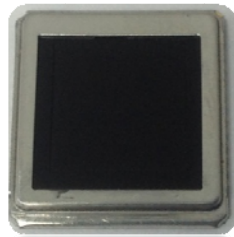


## Hybrid Fingerprint Sensor

***GH8111 / GH8211***



### ▶ Application :

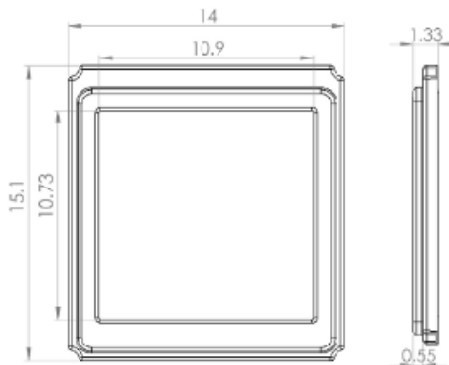
*Smart Phone, Tablet PC, Ultra Book, E-key, Smart Card, Remote Controller, Safety Box, etc. that needs personal authentication.*



### ▶ Technical Spec

Mechanical Dimension(W x L x H)	<b>14 x 15 x 1.3 mm</b>
Effective Sensing Area	<b>8.1 x 8.1 mm</b>
Resolution	<b>1,000 dpi</b>
Active Pixels	<b>320 x 320 pixels</b>
Gray Scale Levels	<b>256</b>
Interface	<b>SPI</b>
Power Supply I/O	<b>1.2~3.3V (3.0 Nominal)</b>
Power Consumption Active	<b>30mA</b>
Power Consumption Standby	<b>5μA</b>
ESD Protection	<b>Contact Discharge 15KV, Air Discharge 15KV</b>
Scratch Resistance	<b>Surface hardness 8H(color) / 9H</b>
Operating Temperature	<b>-20°C~60°C</b>
Operating Humidity	<b>0%~80%, Non-condense</b>
Surface Color	<b>Black/White/Yellow</b>
Anti High Ambient Light	<b>1,000,000 LUX</b>

### ▶ Mechanical Dimension



### Key Features

- ✓ *Hybrid & CMOS technology*
- ✓ *High ESD resistance*
- ✓ *Work well with children, women, old man and dry, moist. or rough fingerprints*
- ✓ *Anti fake fingerprint.*
- ✓ *Anti high ambient light*
- ✓ *Scratch resistance*
- ✓ *Compact size*
- ✓ *Low power consumption*
- ✓ *High C/P ratio*
- ✓ *Patents protection*

Gingy Technology Inc. ([www.gingytech.com](http://www.gingytech.com))

TEL: +886-3-5632500 FAX: +886-3-5631189

NO.3, Creation Rd.II, Science Park, Hsin Chu 300, Taiwan, R.O.C.