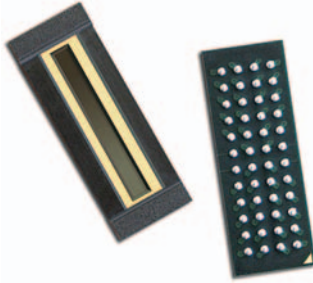


EntréPad® AES2501

Fingerprint Sensor
For USB Applications



AuthenTec, Inc.
Personal Security for the Real World™

Introducing...

The new EntréPad AES2501 slide sensor is AuthenTec's latest and lowest cost fingerprint sensor. AuthenTec has adapted its patented, award winning TruePrint® technology to read fingerprints while the finger is pulled across the AES2501's rectangular surface. In this manner, the full fingerprint is acquired while the sensor is substantially reduced in size.

The AES2501 combines silicon-based image capture with proprietary sensor control and matching algorithms to provide the best quality lowest cost biometric authentication solution available.

TruePrint Is...

AuthenTec's unique, patented imaging technology adapted for sliding finger motion. All of AuthenTec's EntréPad and FingerLoc® sensors utilize TruePrint technology, enabling the sensor to look past the easily obscured outer surface of the skin to the living layer below where the unique ridge and valley patterns of the fingerprint originate.

A powerful component of TruePrint is Dynamic Optimization which allows the AES2501 to deliver multiple images of the fingerprint (called image slices) as the finger is pulled across the sensor. Each image slice is analyzed with up to 15 parameters adjusted to optimize image quality, or surface contamination.

High Performance...

- ▶ TruePrint for sliding fingers
- ▶ >15cm/sec finger slide speed
- ▶ Unequaled "Ability to Acquire"
- ▶ Industry's best FAR/FRR
- ▶ Security Features

Ultra-Small Form Factor...

- ▶ 48 Ball Grid Array (BGA)
- ▶ 13.8mm x 5mm x 1.3mm

Robust Packaging...

- ▶ Scratch and impact resistant
- (stress-tested to >40,000 psi)
- ▶ Rub-resistant to >1M rubs
- ▶ Impervious to contamination

Detection Matrix...

- ▶ 192 x 16 pixels
- ▶ 9.75mm x 0.81mm
- ▶ 500 ppi high-resolution images

Universal Serial Bus Interface...

- ▶ USB 2.0 Full Speed
- ▶ WHQL Drivers

Operating Voltage Range...

- ▶ 3.0V - 3.6V

Commercial Temperature Range...

- ▶ 0°C through +70°C

Current Consumption @ 3.3V...

- ▶ Advanced power management
- ▶ <45mA peak imaging

High-Rate Image Capture...

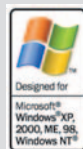
- ▶ Up to 162 frames/second

ESD Resistance...

- ▶ IEC 61000-4-2 Level 4 (±15KV)

Supported Operating Systems...

- ▶ Microsoft® Windows 98®, ME®, 2000®, XP®, and NT® v4.0
- ▶ Symbian®, CE 3.0®



Superior Image Quality...

TruePrint high-quality fingerprint imaging technology makes possible the most reliable authentication. High quality imaging ensures that we can capture everyone's fingerprint, every time under virtually all conditions.

Target Applications...

The EntréPad AES2501 is specifically designed and optimized for use in mobile devices such as laptop computers, memory keys, smart displays, and other mobile applications where USB connectivity is desired. Its extremely low price, ultra small size, and low power requirements make the AES2501 ideal for these applications.

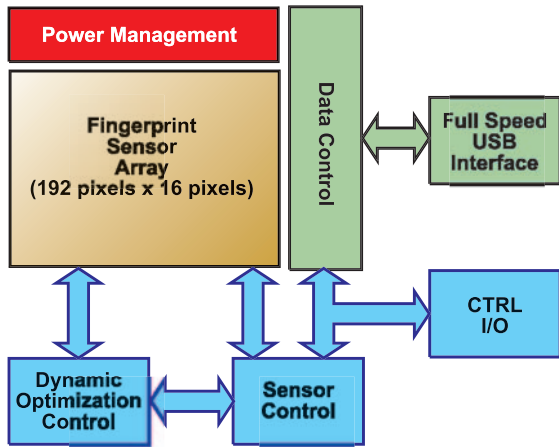
Convenient Security...

The EntréPad AES2501 fingerprint sensor features hardware finger detection capability and specialized security features for system integrity.

With its small form factor the AES2501 allows for easy mounting of the sensor in portable devices providing your customer with the latest technology in fingerprint biometric security. With its small form factor the AES2501 allows for easy mounting on devices where mounting space is at a premium.

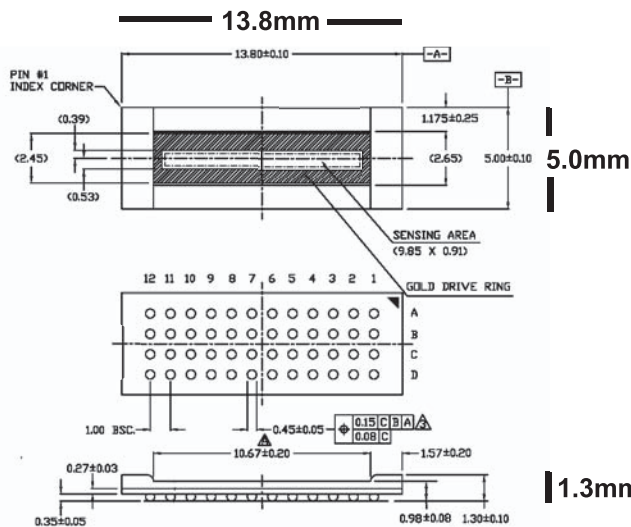
Authentication Solution Cost...

The AES2501 is AuthenTec's answer authentication requirements where minimizing cost is paramount. AuthenTec remains committed to providing the lowest overall cost of authentication in any configuration with the widest range of fingerprint sensors.



The EntréPad AES2501 sensor has been optimized for Universal Serial Bus applications. For applications requiring synchronous serial interfaces, please refer to the AES2502 datasheet.

The AES2501 allows for convenient operation with either a Crystal, a low cost resonator, or with externally supplied clock input.



1mm Ball Pitch
The form factor of the EntréPad AES2501 is 48 BGA

In addition to AuthenTec's latest sensor, let us introduce you to the AuthenTec family of kits...

AuthenTec provides a full range of hardware, software, and support for easy integration. This includes advanced sensor control and fingerprint matching algorithms, device driver support for Windows XP, 2000, ME, 98, and NT v4.0, plus Windows embedded support* (CE .Net, PocketPC 2002, & Smartphone 2002), Symbian* and Palm OS5.0*. Support is also provided for industry-standard biometric Applications Programming Interfaces (APIs). All these features are conveniently bundled into kits:

- ▶ Technology Evaluation Kits (TEKs) are low cost introductory tools that come complete with a sensor module, matching algorithms, and demonstration software. TEKs enable quick and easy investigation of our technology.
- ▶ Software Developer's Kits (SDKs) are available for Independent Software Vendors (ISVs) who wish to develop products that interface with AuthenTec sensors.
- ▶ Reference Design Kits (RDks) enable manufacturers of PCs, peripherals, PDA's, and wireless devices to quickly integrate AuthenTec sensors into their products.
- ▶ * "OS Ready" Operating System Support enables AuthenTec to quickly provide dedicated software drivers in support of unique customer hardware platforms. The major work in preparing the necessary drivers has already been completed. Contact AuthenTec directly for more information regarding this support.

For more information contact AuthenTec or your local AuthenTec representative.

AuthenTec, Inc.

P. O. Box 2719
Melbourne, FL
32902-2719 U.S.A.
321-308-1300 (phone)
321-308-1430 (fax)
www.authentec.com
info@authentec.com